

COMPOSITE CONCEPTS, INC.

2S VESSEL Isometric / Cross Section

All dimensions are shown in inches

Drawing Number: 21231

TOLERANCES

Drawn By: Kevin Read

Date: 15APR05

DECIMALS

ANGLES

Approved By: Steve McPherson

Date: 15APR05

.XX ±.01

± .5°

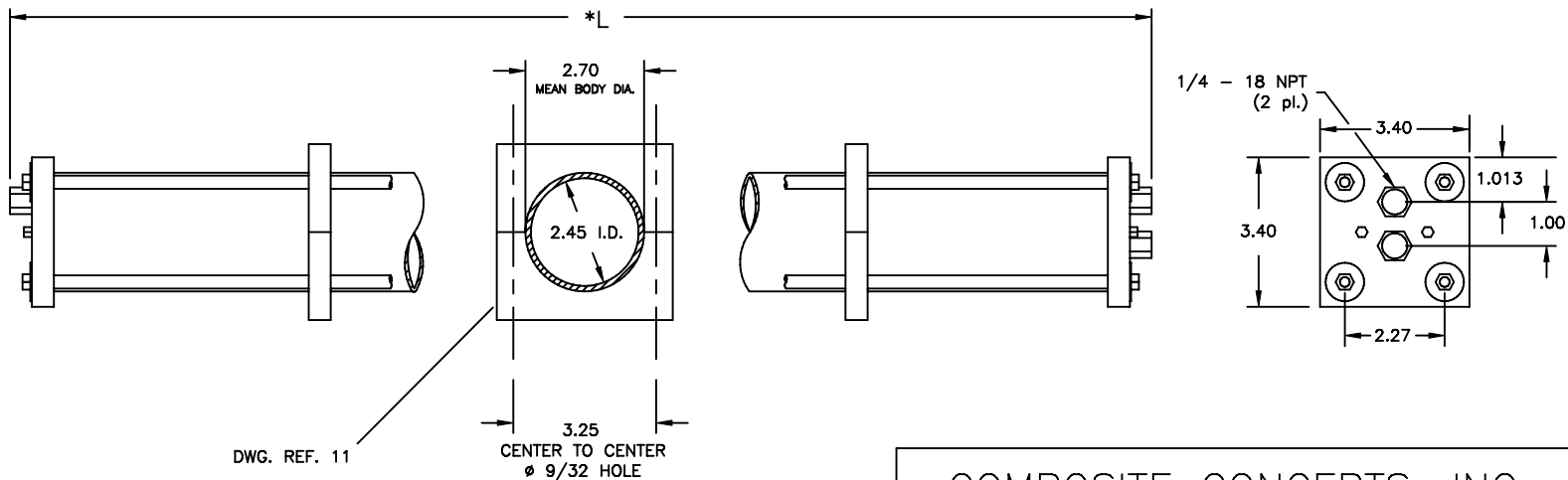
Revision:

.XXX ±.005

Scale: NTS

Date: 15APR05

Sheet: 1 of 3



NOTES:
 * Refer to the 2-inch vessel specification table found on the 2-inch vessel main page.

COMPOSITE CONCEPTS, INC.									
2S Dimensional Drawing									
All dimensions are shown in inches TOLERANCES <table border="1" style="width: 100%;"> <tr> <td>DECIMALS</td> <td>ANGLES</td> </tr> <tr> <td>.XX ±.01</td> <td>± .5°</td> </tr> <tr> <td>.XXX ±.005</td> <td></td> </tr> </table>	DECIMALS	ANGLES	.XX ±.01	± .5°	.XXX ±.005		Drawing Number: 21232		Date: 19APR05
	DECIMALS	ANGLES							
	.XX ±.01	± .5°							
	.XXX ±.005								
Drawn By: Kevin Read		Date: 19APR05							
Approved By: Steve McPherson		Date: 19APR05							
Revision:									
Scale: NTS		Date: 19APR05							

Sheet: 2 of 3

Dwg Ref	Qty per vessel	Part Number	Part Name	Material
1	8	20631	3/8 - 16 Lock Nut	Type 316 Stainless Steel
2	8	20731	3/8 Flat Washer	Type 316 Stainless Steel
3	4	20831	1/4 - 20 x 7/8 Bolt	Stainless Steel
4	3	20401	Pressure Port/Product Port	Type 316 Stainless Steel
5	1	20134	Bearing Plate (two port)	6061-T6 Hard Anodized Aluminium Alloy
Not Shown	1	20133	Bearing Plate (one port)	6061-T6 Hard Anodized Aluminium Alloy
6	3	WSM-56-S16	Port Retaining Ring	Type 316 Stainless Steel
7	1	20234	End Plug (two port)	PVC Thermoplastic
Not Shown	1	20233	End Plug (one port)	PVC Thermoplastic
8	3	2-014	Port Seal	Ethylene Propylene O-ring
9	2	2-227	End Plug Seal	Ethylene Propylene O-ring
10	2	2-116	Hub Seal	Ethylene Propylene O-ring
11	2	21031	Mounting Block	HDPE

COMPOSITE CONCEPTS, INC.

2S VESSEL: Parts List

Drawing Number: 21239

Drawn By: Kevin Read

Date: 15APR05

Approved By: Steve McPherson

Date: 15APR05

Revision:

Sheet: 3 of 3

Date: 18APR05